

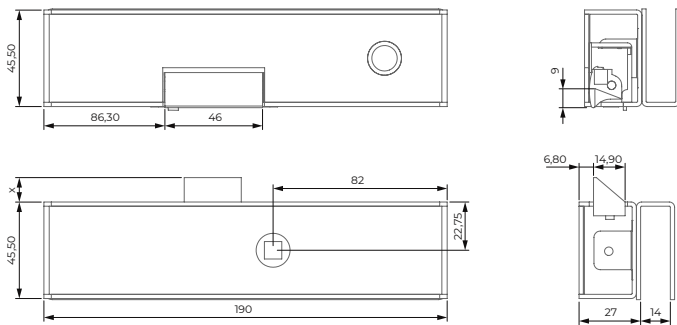
83 AF

ESPECIFICACIONES INSTALACIÓN INSTALLATION FEATURES

| | |
|------------------------------------|---------------------------------------|
| Instalación <i>Installation</i> | Sobreponer <i>Surface mounting</i> |
| Reversible <i>Reversible</i> | Sí <i>Yes</i> |
| Alto <i>High</i> | 190 mm |
| Ancho <i>Width</i> | 27 mm / 45 mm |
| Profundo <i>Deep</i> | 45,50 mm |

| | |
|---|---------------------------------|
| Espesor cristal <i>Glass thickness</i> | Hasta 12mm <i>Up to 12mm</i> |
| Ajuste aleta flex <i>Flex jaw adjust</i> | +4 -0 mm |
| Ciclos testeados <i>Tested cycles</i> | 200.000 |
| Rango temperatura trabajo <i>Temperature working range</i> | -25°C / +50°C |
| Resistencia a rotura <i>Breaking resistance</i> | 2950 N |

PLANO TÉCNICO TECHNICAL DRAW



FUNCIONES FUNCTIONS

| | |
|---|-----------------------------|
| Desbloqueo <i>Unlatching</i> | No <i>No</i> |
| Microswitch (305) <i>Microswitch (305)</i> | No <i>No</i> |
| Diodo <i>Diode</i> | Opcional <i>Optional</i> |
| Varistor <i>Varistor</i> | Opcional <i>Optional</i> |

ESPECIFICACIONES ELÉCTRICAS ELECTRIC FEATURES

| | | | | | | | |
|---|---|-----------------------|-------------|-------------------|-------------------|-------------------|-------------------|
| RANGO VOLTAJE (V) <i>VOLTAGE RANGE (V)</i> | 6-12 | 8-12 | 24 | 12 (412) | 24 (424) | 12 (512) | 24 (524) |
| | AC-DC | AC-DC | AC-DC | DC | DC | DC | DC |
| FUNCIONAMIENTO <i>FUNCTIONING</i> | FAIL SECURE | FAIL SECURE | FAIL SECURE | FAIL SECURE | FAIL SECURE | FAIL SAFE | FAIL SAFE |
| RESISTENCIA BOBINA (Ω) <i>COIL RESISTANCE (Ω)</i> | 8 | 17 | 58 | 68 | 220 | 68 | 230 |
| CICLO CARGA ELÉCTRICA (%ED) <i>ELECTRIC DUTY CYCLE (%ED)</i> | 10% ED | 20% ED | 20% ED | 100% ED 12 VDC | 100% ED 24 VDC | 100% ED 12 VDC | 100% ED 24 VDC |
| CONSUMO CORRIENTE AC (mA) <i>AC CURRENT CONSUMPTION (mA)</i> | 565 (6V) 1150 (12V) | 350 (8V) 510 (12V) | 340 | - | - | - | - |
| CONSUMO CORRIENTE DC (mA) <i>DC CURRENT CONSUMPTION (mA)</i> | 750 (6V) 1500 (12V) | 490 (8V) 715 (12V) | 410 | 210 | 120 | 190 | 110 |
| MÁXIMA PRECARGA APERTURA AC <i>MAXIMUM PRELOAD OPEN AC</i> | 120N (12V) | - | - | - | - | - | - |
| MÁXIMA PRECARGA APERTURA DC <i>MAXIMUM PRELOAD OPEN DC</i> | - | - | - | - | - | - | - |
| TOLERANCIA BOBINA <i>COIL TOLERANCE</i> | Máxima tolerancia bobina 5% <i>Max coil tolerance 5%</i> | | | | | | |

