

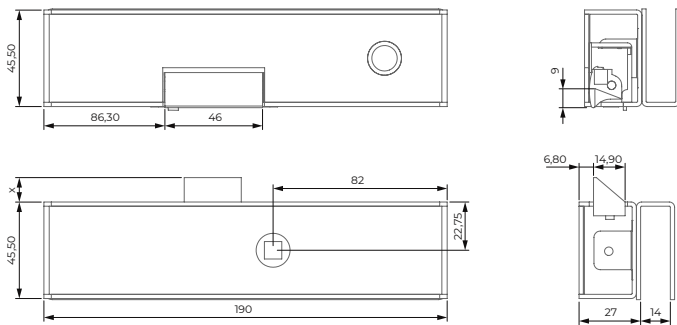
83 NDF

ESPECIFICACIONES INSTALACIÓN INSTALLATION FEATURES

| | |
|-----------------------------|--------------------------------|
| Instalación Installation | Sobreponer Surface mounting |
| Reversible Reversible | Sí Yes |
| Alto High | 190 mm |
| Ancho Width | 27 mm / 45 mm |
| Profundo Deep | 45,50 mm |

| | |
|--|--------------------------|
| Espesor cristal Glass thickness | Hasta 12mm Up to 12mm |
| Ajuste aleta flex Flex jaw adjust | +4 -0 mm |
| Ciclos testeados Tested cycles | 200.000 |
| Rango temperatura trabajo Temperature working range | -25°C / +50°C |
| Resistencia a rotura Breaking resistance | 2950 N |

PLANO TÉCNICO TECHNICAL DRAW



FUNCIONES FUNCTIONS

| | |
|--|----------------------|
| Desbloqueo Unlatching | Sí Yes |
| Microswitch (305) Microswitch (305) | No No |
| Diodo Diode | Opcional Optional |
| Varistor Varistor | Opcional Optional |

ESPECIFICACIONES ELÉCTRICAS ELECTRIC FEATURES

| RANGO VOLTAJE (V) VOLTAGE RANGE (V) | 6-12 | 8-12 | 24 | 12 (412) | 24 (424) | 12 (512) | 24 (524) |
|--|--|-----------------------|-------------|-------------------|-------------------|-------------------|-------------------|
| | AC-DC | AC-DC | AC-DC | DC | DC | DC | DC |
| FUNCIONAMIENTO FUNCTIONING | FAIL SECURE | FAIL SECURE | FAIL SECURE | FAIL SECURE | FAIL SECURE | FAIL SAFE | FAIL SAFE |
| RESISTENCIA BOBINA (Ω) COIL RESISTANCE (Ω) | 8 | 17 | 58 | 68 | 220 | 68 | 230 |
| CICLO CARGA ELÉCTRICA (%ED) ELECTRIC DUTY CYCLE (%ED) | 10% ED | 20% ED | 20% ED | 100% ED 12 VDC | 100% ED 24 VDC | 100% ED 12 VDC | 100% ED 24 VDC |
| CONSUMO CORRIENTE AC (mA) AC CURRENT CONSUMPTION (mA) | 565 (6V) 1150 (12V) | 350 (8V) 510 (12V) | 340 | - | - | - | - |
| CONSUMO CORRIENTE DC (mA) DC CURRENT CONSUMPTION (mA) | 750 (6V) 1500 (12V) | 490 (8V) 715 (12V) | 410 | 210 | 120 | 190 | 110 |
| MÁXIMA PRECARGA APERTURA AC MAXIMUM PRELOAD OPEN AC | 120N (12V) | - | - | - | - | - | - |
| MÁXIMA PRECARGA APERTURA DC MAXIMUM PRELOAD OPEN DC | - | - | - | - | - | - | - |
| TOLERANCIA BOBINA COIL TOLERANCE | Máxima tolerancia bobina 5% Max coil tolerance 5% | | | | | | |

