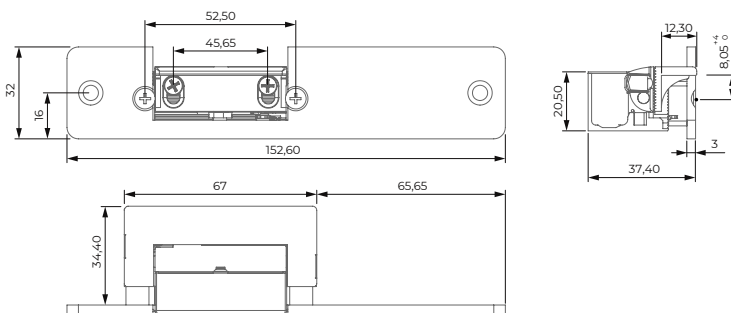


84 AaDF

ESPECIFICACIONES INSTALACIÓN INSTALLATION FEATURES

| | | | |
|------------------------------------|-------------------------|---------------------------------------------------------------|------------|
| Instalación <i>Installation</i> | Embutir <i>Flush</i> | Profundidad aleta <i>Jaw deep</i> | 12,30 mm |
| Reversible <i>Reversible</i> | Sí <i>Yes</i> | Ajuste aleta flex <i>Flex jaw adjust</i> | +4 -0 mm |
| Alto <i>High</i> | 67 mm | Ciclos testeados <i>Tested cycles</i> | 200.000 |
| Ancho <i>Width</i> | 20,50 mm | Rango temperatura trabajo <i>Temperature working range</i> | -25°C/50°C |
| Profundo <i>Deep</i> | 34,40 mm | Resistencia a rotura <i>Breaking resistance</i> | 3450 N |

PLANO TÉCNICO TECHNICAL DRAW



FUNCIONES FUNCTIONS

| | |
|-----------------------------------------------|-----------------------------|
| Desbloqueo <i>Unlatching</i> | No <i>No</i> |
| Microswitch (305) <i>Microswitch (305)</i> | No <i>No</i> |
| Diodo <i>Diode</i> | Opcional <i>Optional</i> |
| Varistor <i>Varistor</i> | Opcional <i>Optional</i> |

ESPECIFICACIONES ELÉCTRICAS ELECTRIC FEATURES

| RANGO VOLTAJE (V) VOLTAGE RANGE (V) | 6-12 | 8-12 | 24 | 12 (412) | 24 (424) | 12 (512) | 24 (524) |
|----------------------------------------------------------|------------------------------------------------------|-----------------------|-------------|-------------------|-------------------|-------------------|-------------------|
| | AC-DC | AC-DC | AC-DC | DC | DC | DC | DC |
| FUNCIONAMIENTO FUNCTIONING | FAIL SECURE | FAIL SECURE | FAIL SECURE | FAIL SECURE | FAIL SECURE | FAIL SAFE | FAIL SAFE |
| RESISTENCIA BOBINA (Ω) COIL RESISTANCE (Ω) | 8 | 17 | 58 | 38 | 132 | 58 | 240 |
| CICLO CARGA ELÉCTRICA (%ED) ELECTRIC DUTY CYCLE (%ED) | 10% ED | 20% ED | 20% ED | 100% ED 12 VDC | 100% ED 24 VDC | 100% ED 12 VDC | 100% ED 24 VDC |
| CONSUMO CORRIENTE AC (mA) AC CURRENT CONSUMPTION (mA) | 565 (6V) 1150 (12V) | 350 (8V) 510 (12V) | 340 | - | - | - | - |
| CONSUMO CORRIENTE DC (mA) DC CURRENT CONSUMPTION (mA) | 750 (6V) 1500 (12V) | 490 (8V) 715 (12V) | 410 | 320 | 200 | 210 | 110 |
| MÁXIMA PRECARGA APERTURA AC MAXIMUM PRELOAD OPEN AC | 200N (12V) | 200N (12V) | - | - | - | - | - |
| MÁXIMA PRECARGA APERTURA DC MAXIMUM PRELOAD OPEN DC | - | - | - | - | - | - | - |
| TOLERANCIA BOBINA COIL TOLERANCE | Máxima tolerancia bobina 5% Max coil tolerance 5% | | | | | | |

