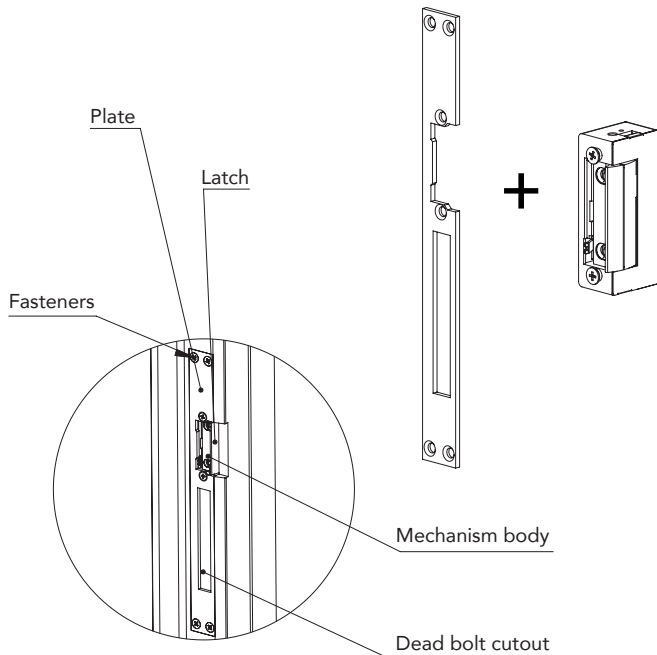


An electric strike is an electromechanical device installed on the door frame allowing an electrical opening.

### Installation modes

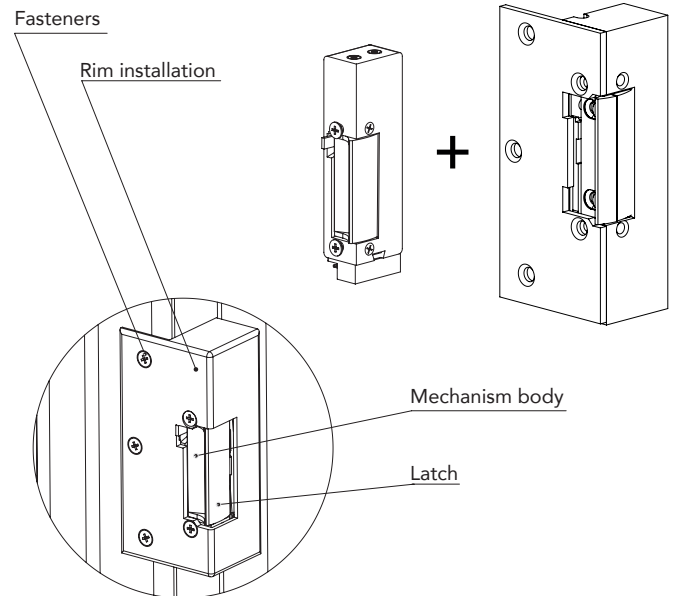
#### Flush mounted electric

A flush mounted electric strike is a mechanism body installed into the door frame and it's fixed on using a plate.



#### Rim electric strike installation

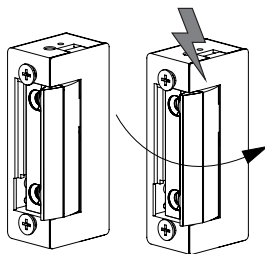
A rim electric strike installation is installed onto the door frame in case is not allow a flush mounted installation. It consists of a mechanism body and an electric strike cover.



### Operating modes

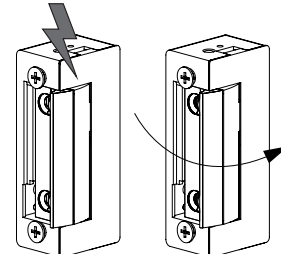
#### Standard mode

An electric strike with a standard operating mode remains locked until it receives an electrical pulse, as long as it lasts the electric strike unlocks the door allowing the door access.

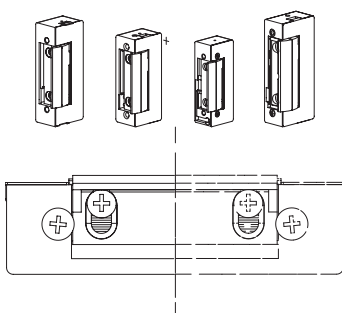


#### Fail safe - (500)

Function 500 or "fail safe" works in an inverted way, that means that the electric strike remains open until an electric pulse closes the door. In case of power cut the doors stay open helping people to leave the building.



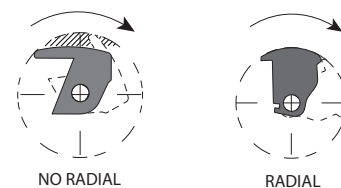
#### Reversible / Non reversible



Inside the full range of electric strikes we can classify between non handed / handed and reversible / non-reversible

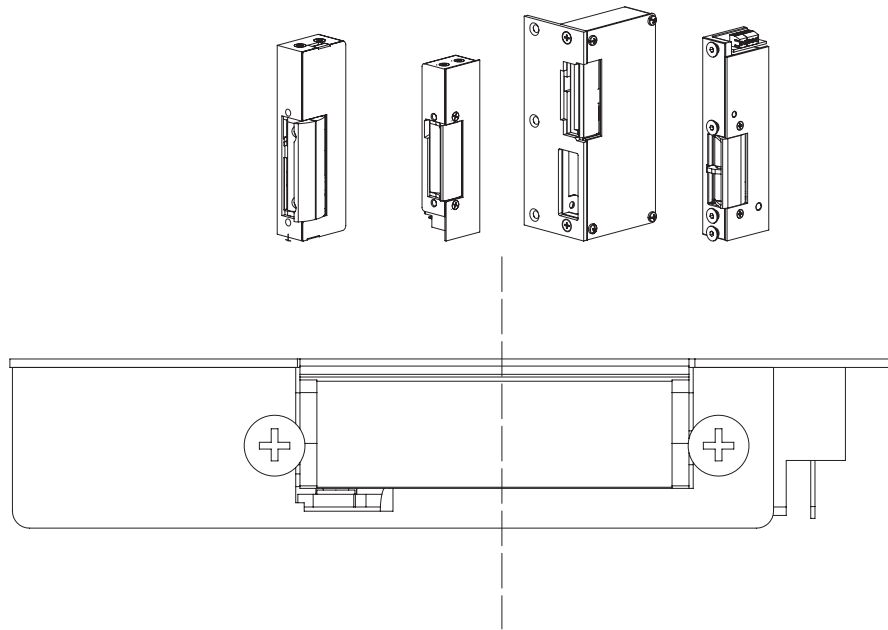
Every symmetrical electric strike is reversible so non handed, they can be installed in both Din left and Din right doors

#### No radial / Radial

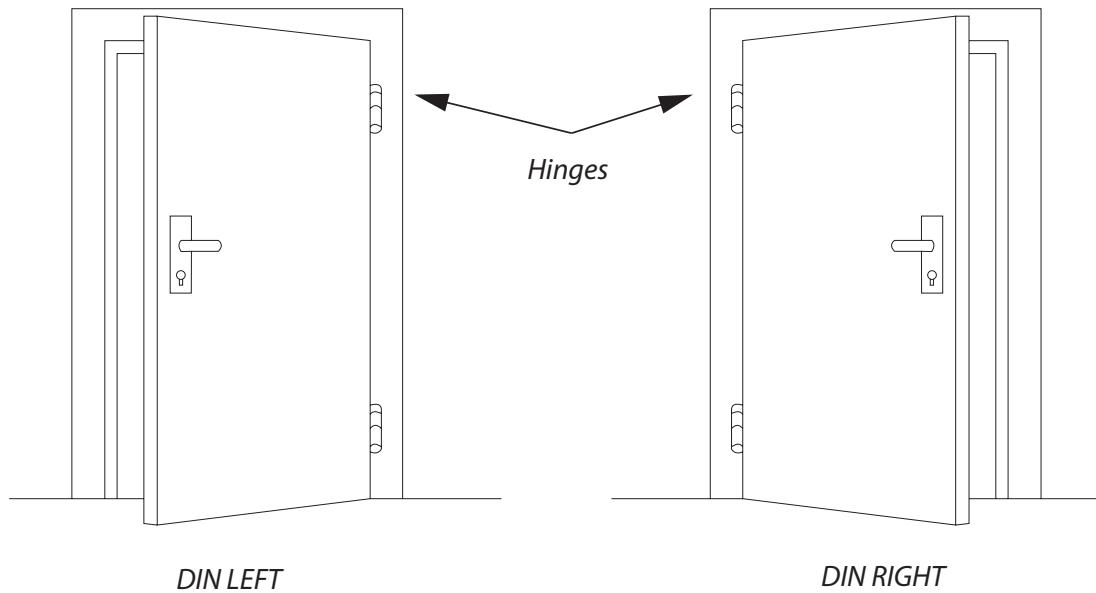


Radial feature incorporates a latch that spins on a displaced axis towards the bottom of the electric strike allowing to reduce its movement area. The installation is easier, more aesthetic and allows a smaller cutout in the frame of the door.

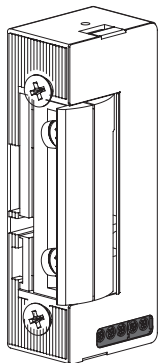
## Non reversible



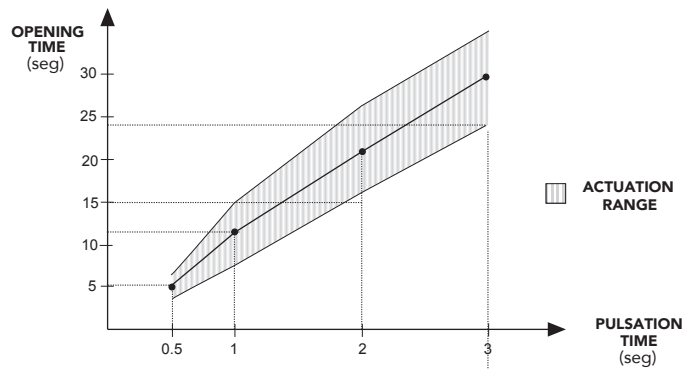
How to determinate the door side



## Timed delay action

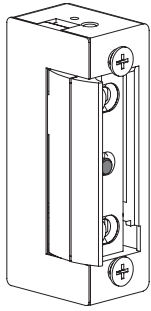


Timed delay action allows the opening in a defined period of time. When electric strike is powered, the door is ready for its opening during a period of time defined by the electric power impulse length (between 5 and 30 sec.) It locks again by itself if the door is not open in that time.

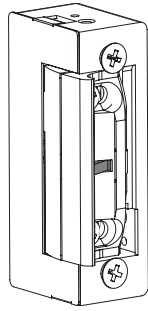


### Delay action

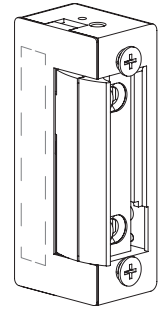
Delay action contact function allows an access when electricity is applied to the electric strike. This access does not have to be immediate. The door remains open since electricity is applied until the door is open and closed again. Dorcas provides different delay action contact systems depending on the built in construction of the electric strikes.



Delay action contact mechanism (A) allows the door to remain open until an access happens. This feature is possible thanks a bolt on the front of the electric strike that is activated when electric power is supplied.

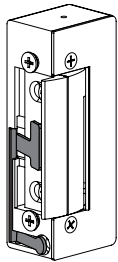


Sliding delay action contact mechanism (Ab) is a new feature built into some of the most innovative DORCAS electric strikes. The delay action contact mechanism is improved by a system that moves along with the external latch allowing the delay action system to work in any regulation of the mechanism.



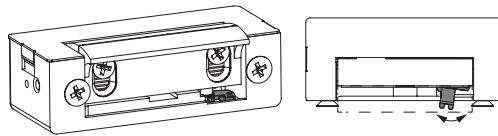
Built in delay action provides the electric strike the delay action contact function without any external piece or mechanism thanks to its internal construction. It is recommended a short electric pulse for its correct operation performance.

### Monitored - (305)



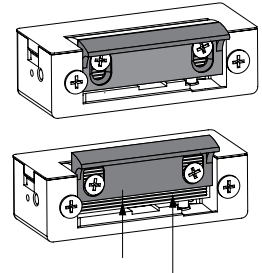
This version has a built in microswitch with NO/NC contact informing if the door is open or closed thanks to additional wire output, then a security or access control system can use this information providing multiple applications. (alarms, access controls, gates...)

### Unlatching mechanism



Unlatching mechanism lever allows to let the electric strike open permanently. If you turn it again, it recovers its normal functioning. This option is optimum for neighbourhoods, constructions...

### Flex

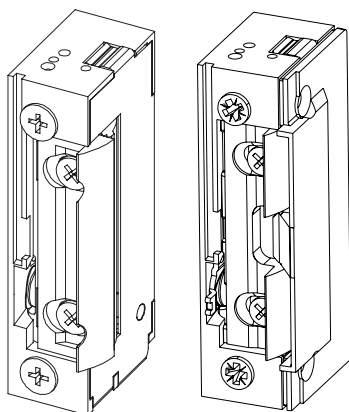


Adjustable external jaw consists in a latch divided in two parts, the external part allow to adjust the reception of the door latch in a wider range making it easier its installation.

### TOP cover - Serie 99

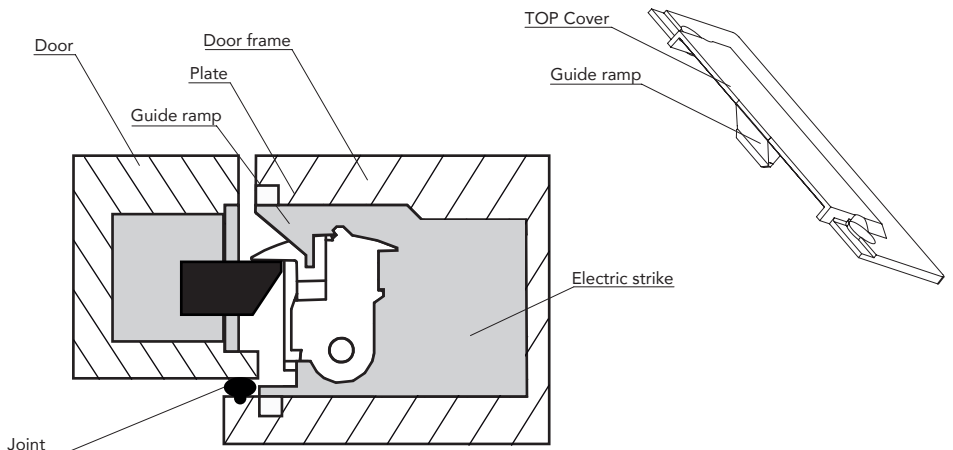
99 model is a compact electric strike available to work in VAC/DC in a range from 10 V to 24 V. It is able to work in two operating conditions: normally closed (NC) and normally open (NO). Last one is inverted system in DC current.

The main novelty is the TOP cover incorporation that guides the latch to slide easier, improving the working conditions.



Serie 99

Serie 99 TOP



If door includes joint, some low consumption models could not open the system due to the generated pressure. Pressure can be regulated adjusting the flex latch.

# Electric features

## Electric functions



DC current



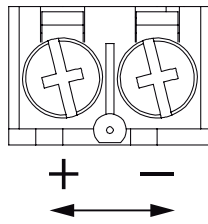
VAC current

Function known as 400 or "fail secure". It works like the standard function (N) but you can keep more over the power supply continuously, for instance with a switch. It is used as a low consumption standard mode.

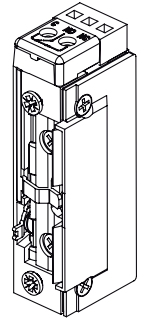
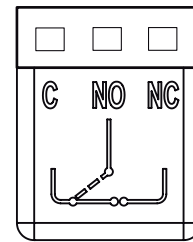
Depending on the installation type, sometimes VAC working is more indicated. That is why we offer our models with that option. VAC electric strikes very short electric pulse in order to open the door.

## Electric connections

Electric strikes work usually without polarity. A diode can be installed to work with polarity.



## Monitored Connections



## Electric ranges for NON REVERSIBLE models

	8-12 V			24 V	12 VDC (412)	24 VDC (424)	12 VDC (512)	24 VDC (524)
Solenoid resistance (Ω)	8	17	30	58	68	132	60	230
VAC Current consumption (mA)	800(8V)	370(8V)	260(8V)					
	1200(12V)	560(12V)	400(12V)					
DC Stabilized current consumption (mA)	1000(8V)	470(8V)		330	260 VDC directa	180 VDC directa	200 VDC directa	120 VDC directa
	1500(12V)	700(12V)						
DC hold working range (V)			-	11-12	11-12	23-24	11-12	23-24

This is a generic list of all solenoids. Not all models work with all the options. Get more information about compatibility for each model at [www.dorcas.com](http://www.dorcas.com) or catalog.

## Electric ranges for REVERSIBLE models

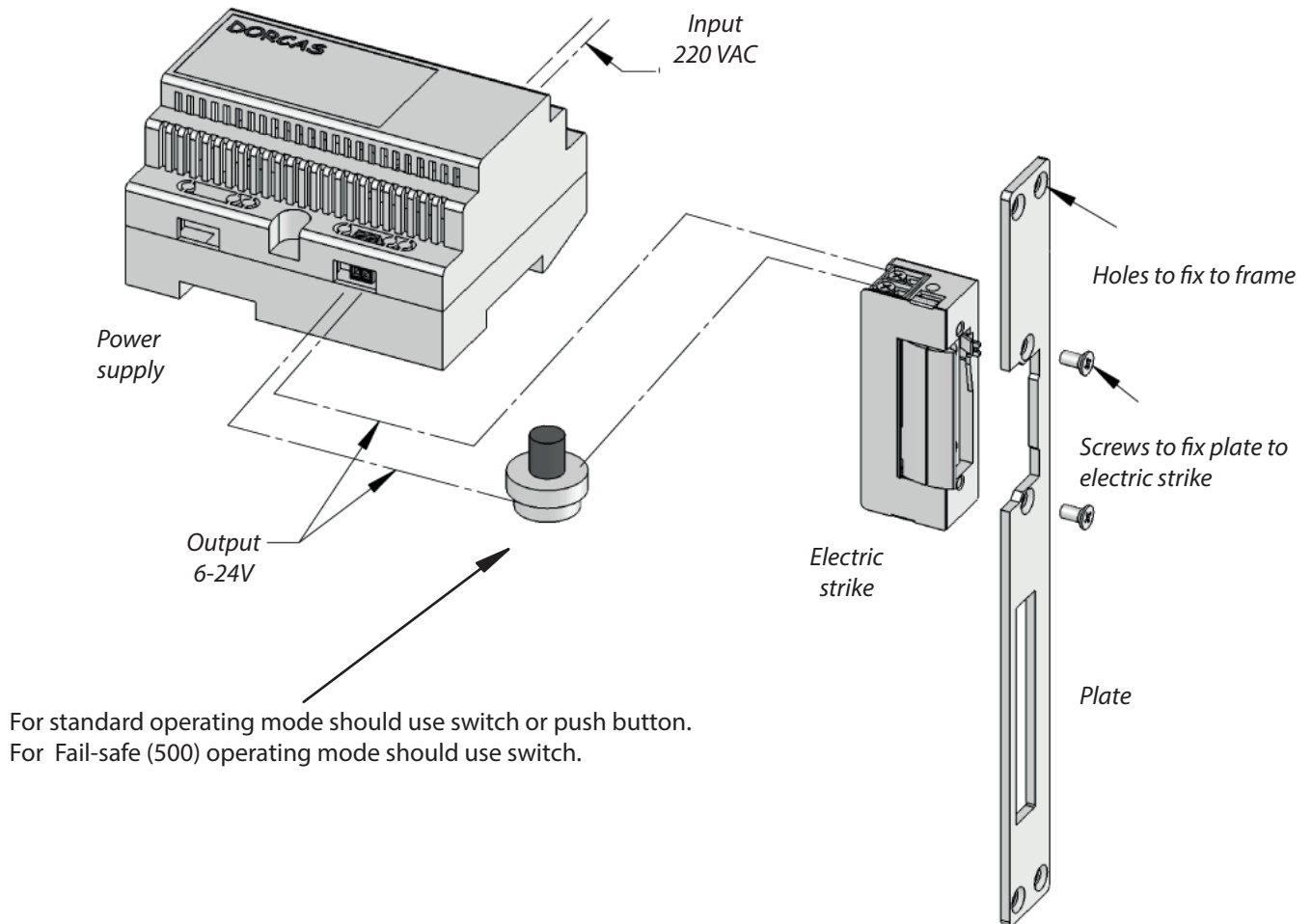
	8-12 V		24 V	12 VDC (412)	24 VDC (424)	12 VDC (512)	24 VDC (524)
Solenoid resistance (Ω)	8	17	58	30	45	132	60
VAC Current consumption (mA)	800(8V)	370(8V)	330				
	1200(12V)	560(12V)					
DC Stabilized current consumption (mA)	1000(8V)	470(8V)		400 VDC directa	260 VDC directa	180 VDC directa	200 VDC directa
	1500(12V)	700(12V)					120 VDC directa
DC hold working range (V)			-	11-12	11-12	23-24	11-12

Specific ranges for 99 model.

	10-24 V	6-12 V	8-12 V	24 V	24 VDC (424)	12 VDC (512)	24 VDC (524)
Solenoid resistance (Ω)	43	8	17	58	132	51	160
VAC Current consumption (mA)	175(10V)	600(6V)	370(8V)	330			
	250(12V)		560(12V)				
	500(24V)						
DC Stabilized current consumption (mA)	230(10V)	750(6V)	470(8V)		180 VDC directa	235 VDC directa	150 VDC directa
	280(12V)	1500(12V)	700(12V)				
	560(24V)						
DC hold working range (V)	11-13			-	23-24	11-12	23-24

This is a generic list of all solenoids. Not all models work with all the options. Get more information about compatibility for each model at [www.dorcas.com](http://www.dorcas.com) or catalog.

## Generic connection diagram



## Generic installation

- 1- Before starting connection, please check the electrical features as well as the voltage and the current strength of the power supply.
- 2- Follow the manual and connect the cable as indicated on the diagram.
- 3- Fit in the electric strike on the plate using screws.
- 4- Fit in the assembly electric strike and plate to the door frame using screws.
- 5- Adjust if it is necessary flex system.
- 6 - Use the electric strike.

## Caution

Electric strike could be damaged in some wrong using conditions:

- Voltage is higher than rated. Check voltage output before installation.
- Do not oil or lubricate the electric strike, this could damage internal parts.
- Paint, dirty or wet may affect to the electric strike functions.

Montajes electrónicos DORCAS S.L.  
C/ José Serrano, 6  
46392 Siete Aguas (Valencia) - SPAIN  
Tél: 0034 96 234 18 03  
Fax: 0034 96 234 18 06  
export@dorcas.com

**DORCAS**  
www.dorcas.com